



## **Assembly Manual**

### **RA-CABINET**

**©RetroArcade.us**

Holland Computers, Inc.

483 Abbe Road N.

Elyria, Ohio 44035

**Do not return to store or market place!**

**Call 440-365-9906 for service**

**LEGAL DISCLAIMER:**

Holland Computers will not be held liable for any incidental or consequential damages for breach of any expressed or implied warranty of the Arcade cabinet, nor an incidental or consequential damage to this assembly. Under no circumstance shall Holland Computers liability exceed the purchase price. Holland Computers reserves the right to refuse to honor this warranty if any of above exceptions caused the product design and/or structural integrity to fail.

**WARRANTY:**

Holland Computers (we, us) warrants this product against defect in workmanship and materials for a period of 30 days from the original date of purchase. If we determine that the product is defective, we will replace the defective part or the entire product at our discretion. We will warrant any replacement parts against defects in materials or workmanship for the remainder of the original warranty period.

This product was designed and intended for light duty, residential use. Improper installation, abuse, improper use of the product or use of this product in a commercial environment will void this warranty.



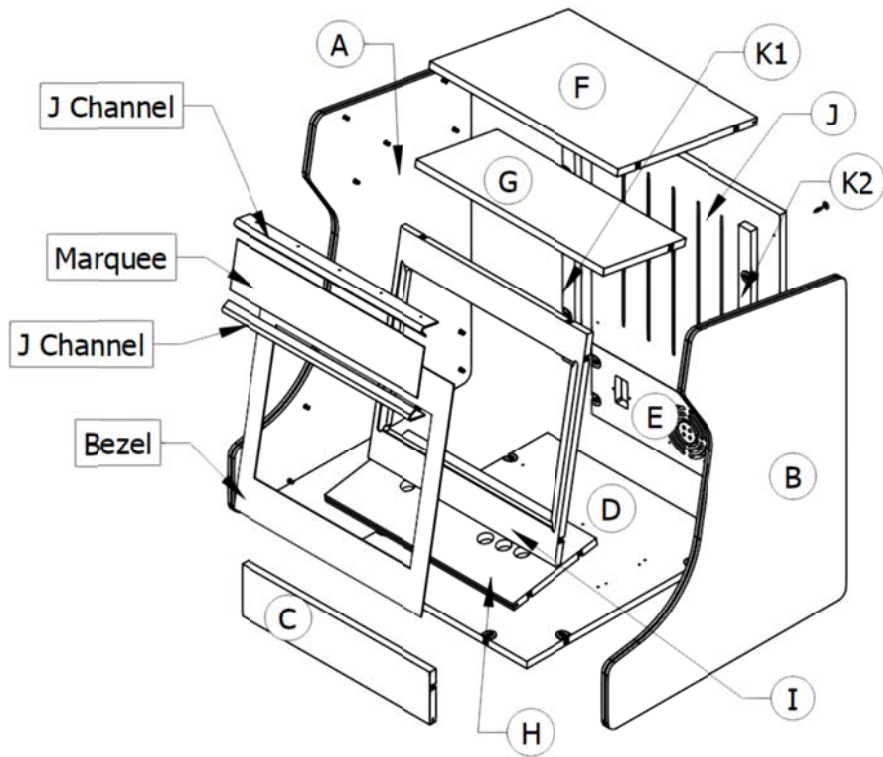
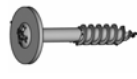
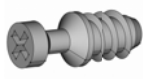
TOOLS NEEDED

			
Rubber Mallet	Razor Knife	#2 Phillips Stubby Screwdriver	#2 Phillips Screwdriver

PARTS INCLUDED

- A Panel (1)
- F Panel (1)
- K Panel (2)
- B Panel (1)
- G Panel (1)
- Plexiglas Marquee (1)
- C Panel (1)
- H Panel (1)
- Plastic Bezel (1)
- D Panel (1)
- I Panel (1)
- Plastic J Channel (2)
- E Panel (1)
- J Panel (1)

- Camlocks ( )
- Camlock Studs ( )
- M3x12 Panhead Screw (10)
- Cabinet Screws (4)



---

### *TIPS for ASSEMBLY*

---

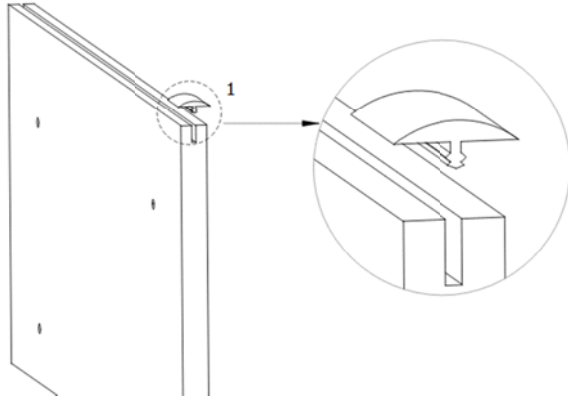
- Avoid over tightening the camlocks, they only need enough torque to bring the parts together. Additional torque will damage them.
- Avoid over tightening the camlock studs, they only need to be seated. Over tightening can damage the stud or the panels.
- Once installed, avoid removing the T-Molding. Doing so may loosen the grip of the panels.
- Installation of buttons and electronics may be easier if done before attaching the panels to the main assembly.
- There are indicators on panels where electronics and other components mount. Use a 2.5mm (3/32 in) drill bit set to a depth of no more than 10mm (3/8 in) to predrill as needed.
- A small bar type clamp can be used instead of the rubber mallet to install the camlocks. This will allow for a more precise installation, avoiding the rotation that occasionally happens when using the mallet.
- When installing the Monitor Bezel, use double stick tape or hook and loop tape to mount.

---

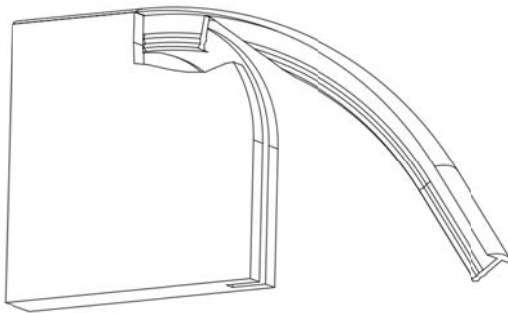
ASSEMBLY INSTRUCTIONS

---

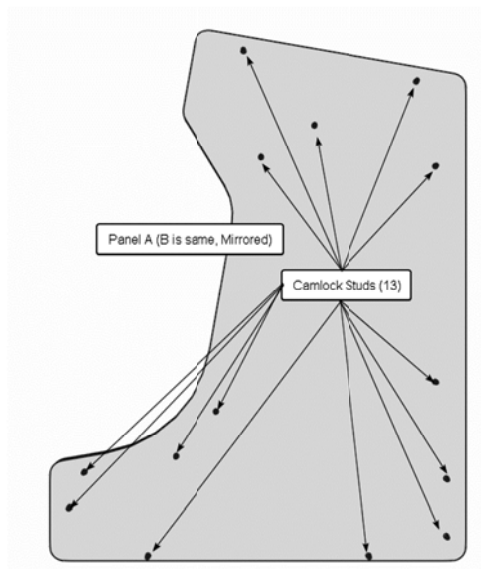
1. Install T-Molding in all of the slotted parts and trim to fit.

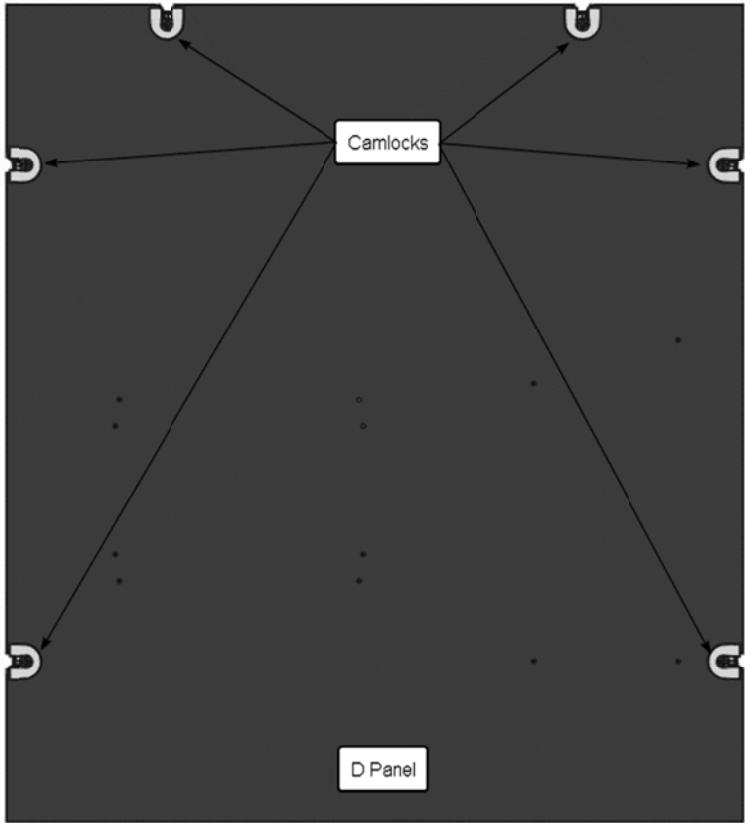
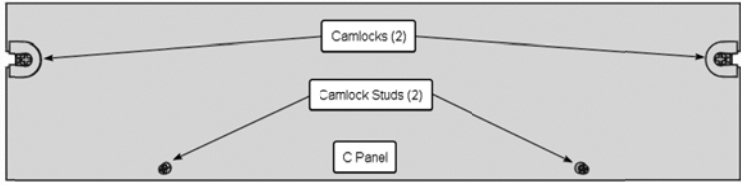


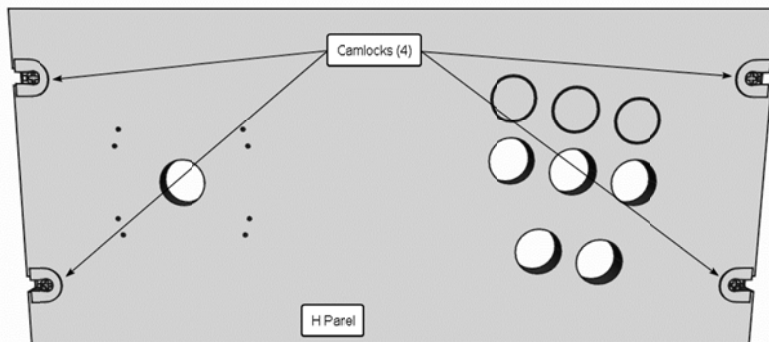
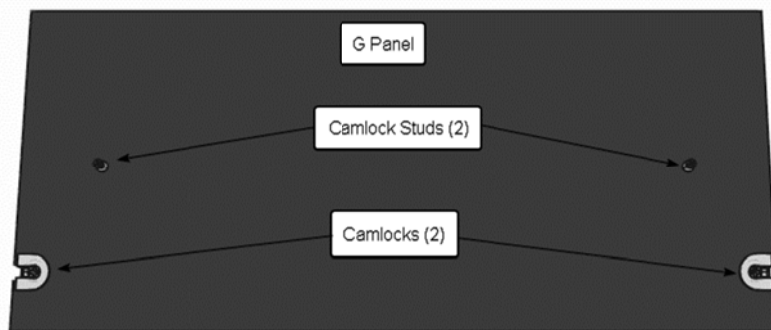
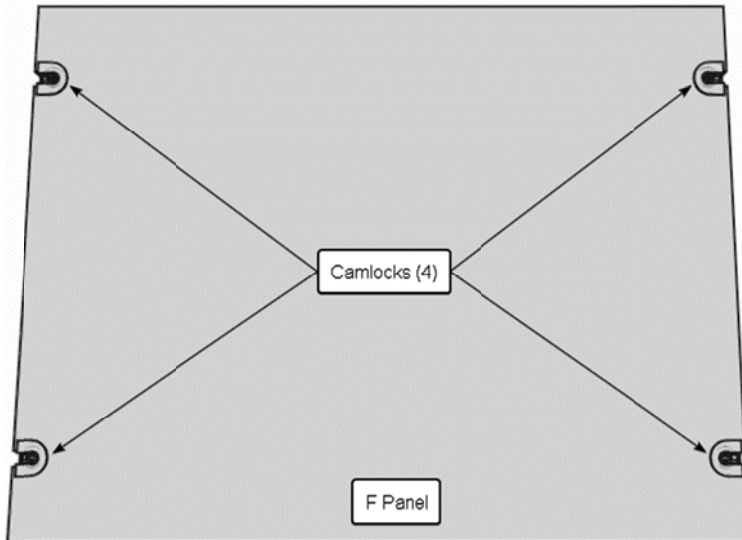
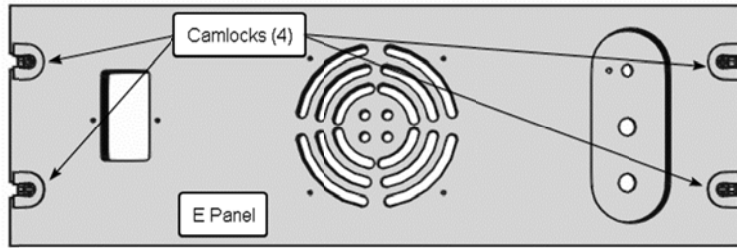
When making tight bends, it helps to cut a notch in the underside of the T-Molding as illustrated here. This will prevent the T-Molding from slipping out and creating gaps.

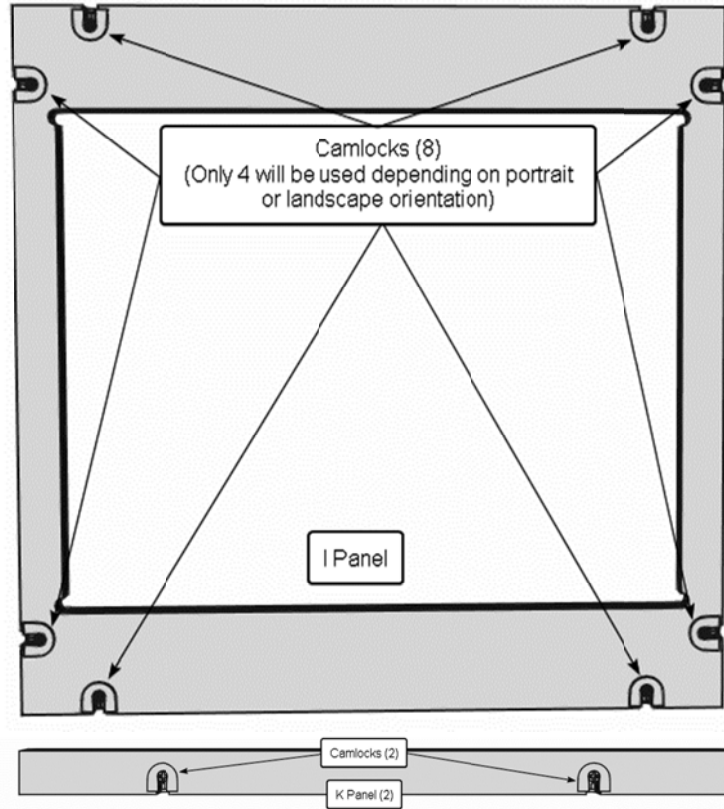


2. Install Camlocks and Camlock Studs into all parts as indicated in the following illustrations



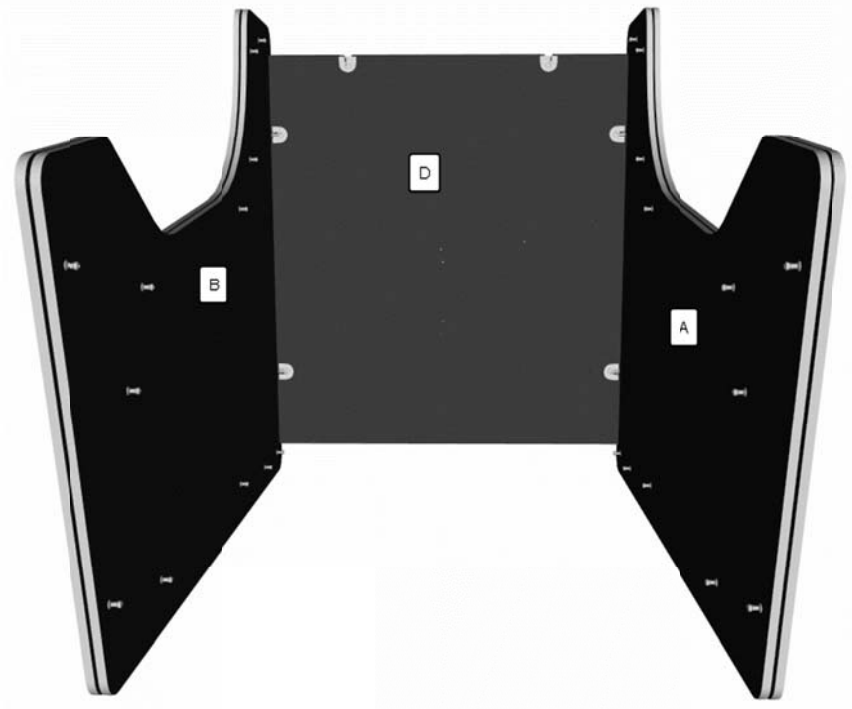




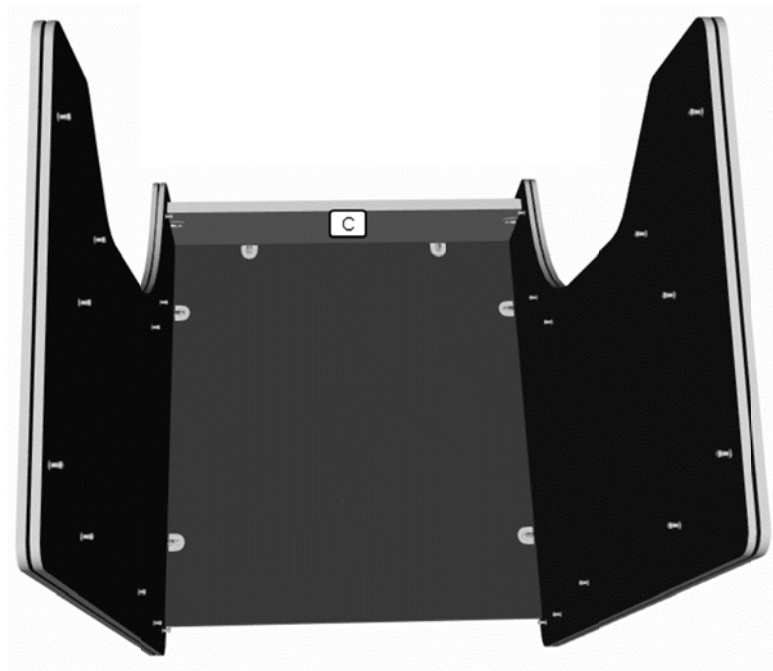




3. Assemble the A, B and D Panels with the A and B panels on their backs and the camlocks on the D Panel facing the bottom of the unit.



4. Install the C Panel while the unit is still on its back.



5. Install the F Panel, again, leaving the unit on its back.



Carefully turn the unit upright for all other assembly steps.

6. Install the G panel



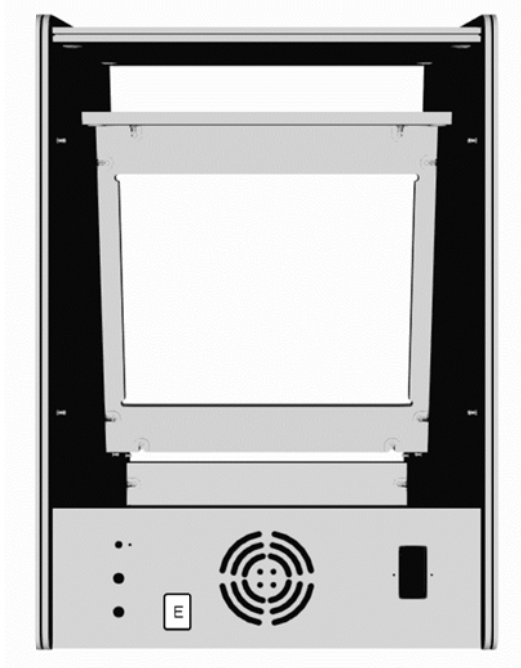
7. Choose the orientation for the monitor and install the I panel. You will need to lift the G panel as it will rotate on the camlocks, align the G panel to the I panel so that the camlocks engage the camlock studs on the G panel.



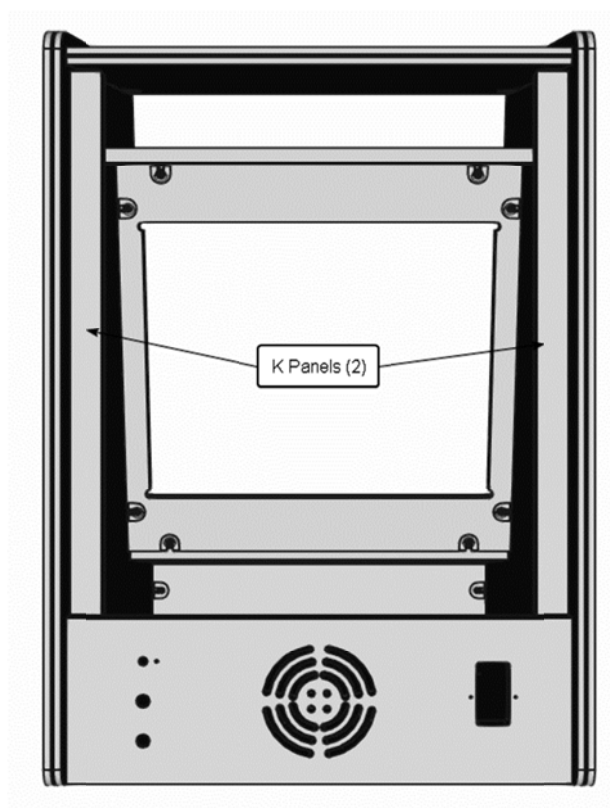
8. Install the H Panel, this is a good time to install buttons, joystick and wiring. Turn the unit around and use the stubby screwdriver to secure the camlocks.



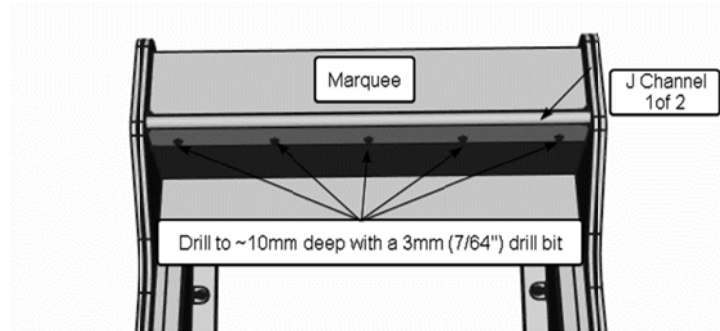
9. From the back of the unit install the E panel. This is a good time to install the electronic components.



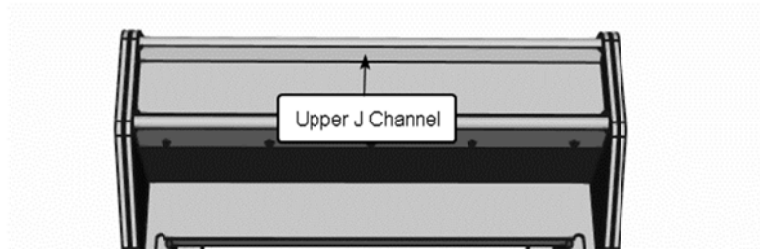
10. Install the K Panels



11. Install the lower J Channel and Marquee. Use the Marquee to set the location of the lower J channel, then drill 5, 3mm (7/64") holes for the M3x13 mounting screws. Use the existing holes in the J Channel as a guide.

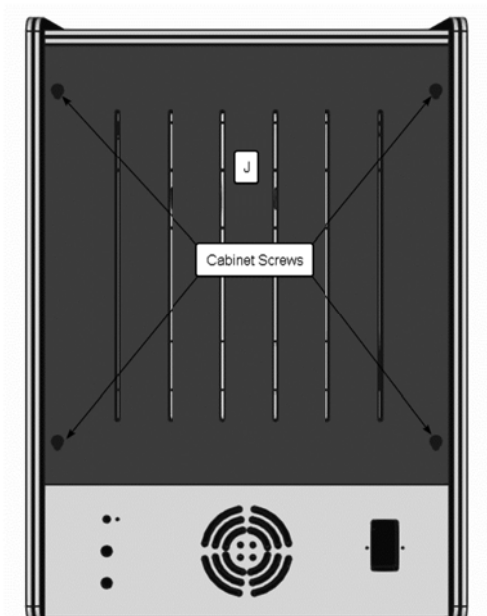


12. Install the upper J Channel using the same process



13. Install your Monitor

14. Install the J Panel using the 4 Cabinet Screws



**CONTACT INFORMATION**

**Holland Computers, Inc.**

**C/O RetroArcade.US**

**483 N. Abbe Rd. Elyria, Ohio 44035**

**440-365-9906**

**[www.hollandcomputers.com](http://www.hollandcomputers.com)**

**[www.retroarcade.us](http://www.retroarcade.us)**

**COPYRIGHT 2021 Holland Computers, Inc. ALL RIGHTS RESERVED**